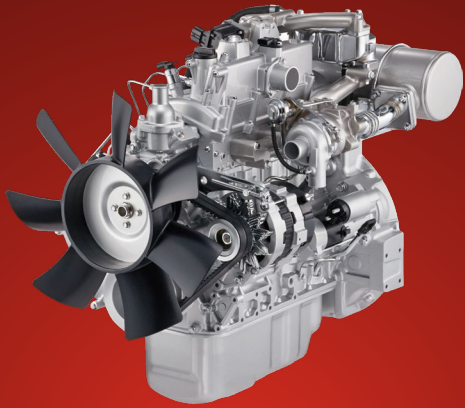


4L SERIES



DEPENDABLE POWER

4LE2T Constant Speed
40.2 HP (30 kW) @ 1800 rpm
Variable Speed
48 HP (36 kW) @ 2400 rpm

4LE2X Constant Speed
66 HP (49 kW) @ 1800 rpm
Variable Speed
62 HP (46 kW) @ 2400 rpm

ISUZU
The power behind it all.™

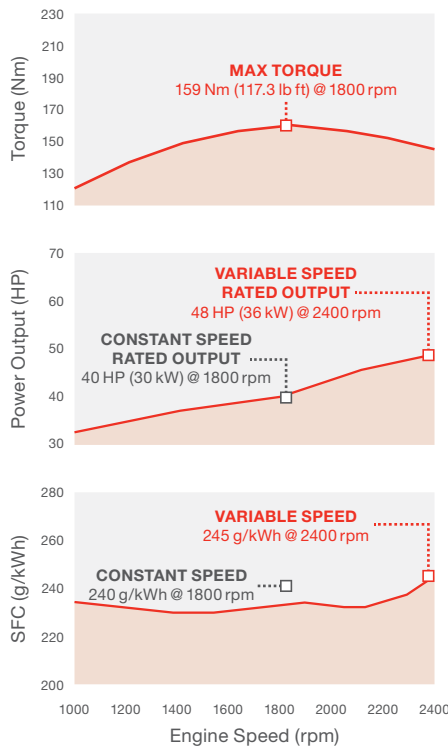
ENGINE SPECIFICATIONS

	4LE2T	4LE2X
Displacement	2.2L	2.2L
Cylinders	4	4
Cycle	4	4
Turbo Charger or Charged Air Cooled	Turbo	Turbo and Charge Air Cooled
Electrical System	12V	12V
Max Torque	159 Nm (117.3 lb ft) @ 1800 rpm	215 Nm (158.6 lb ft) @ 1800 rpm
5 Year / 5000 Hour Limited Warranty*	Yes	Yes
Cooled EGR	Yes	Yes
SAE Housing Options	SAE 4 or 5	SAE 4
Gear Case PTO	Optional	Optional
Glow Plug Starting Aid	Yes	Yes
Aftertreatment	DOC	DOC

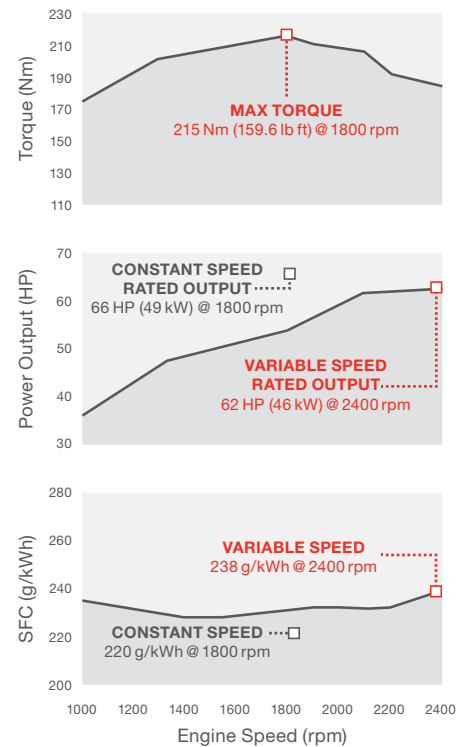
*See your authorized Isuzu representative for warranty details.

ENGINE PERFORMANCE CURVES

4LE2T



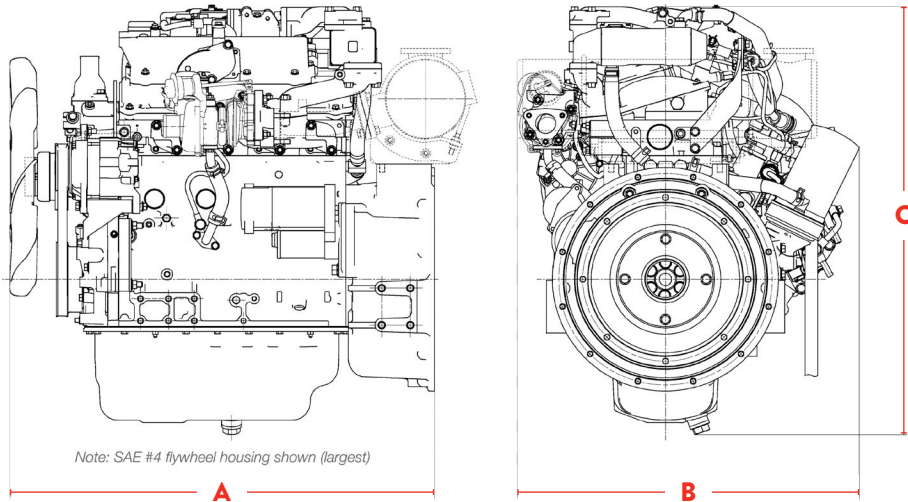
4LE2X





ISUZU REDTECH™

Reliable | Eco-friendly | Durable | Technologically Advanced



ENGINE DIMENSIONS

	4LE2T	4LE2X
A – Length	31.4" (797 mm)	33.4" (848 mm)
B – Width	24.05" (611 mm)	24.2" (614 mm)
C – Height	30.5" (775 mm)	30.5" (775 mm)
Dry Weight	230 kg (507 lbs)	220 kg (485 lbs)

APPLICATIONS

- Aerial Work Platform
- Construction Machinery
- Hydraulic Pump
- Agricultural
- Forest Machinery
- Irrigation
- Air Compressor
- General Industrial
- Water Pump
- Asphalt Paver
- Generator



Isuzu Motors America, LLC
46401 Commerce Center Drive
Plymouth, Michigan 48170
Phone: 734.582.9470
isuzuengines.com

CERTIFICATIONS

US | EPA – TIER 4

EU | Stage V¹

STANDARD FEATURES

- DOC Maintenance free – no DPF
- Watercooled EGR
- High Pressure Common rail, direct injection
- Electric self-priming fuel lift pump
- Glow plug starting aid
- 35-degree inclination – all angles
- OHV
- 5 Year / 5000 Hour Limited Warranty²
- Open Crankcase – select engines
- Water/fuel separator

AVAILABLE OPTIONS

- Cooling Packages
- Air cleaners
- Control panels
- Custom wire harnesses
- SAE 4, 5 or flat plate
- Up to 500-hour oil change
- Skid packages
- Engineering assistance

POWER UNITS AVAILABLE

- Standard
- Custom



¹ See your authorized Isuzu representative for certified configurations.

² See your authorized Isuzu representative for warranty details.