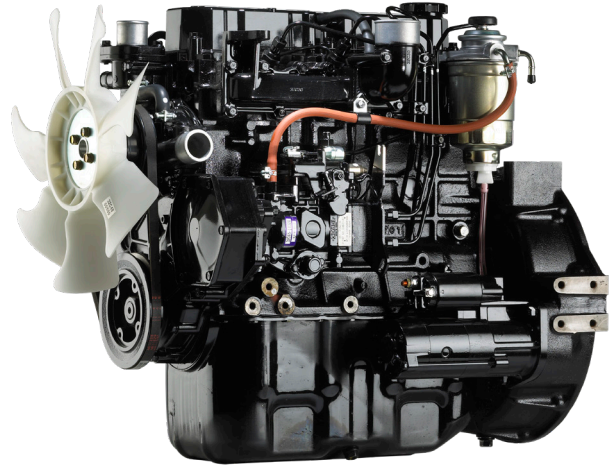


S4Q2-Z365SP

34.6 kWm @ 2500 rpm | VARIABLE SPEED

MITSUBISHI DIESEL ENGINE

COMPACT AND RELIABLE



ENGINE DATA

Engine model	S4Q2-Z365SP
Engine type	4-stroke, diesel
Cylinder configuration	4 in-line
Bore x stroke (mm)	88 × 103
Total displacement (l)	2.505
Aspiration	natural
Dry weight (kg)	195
Emission	EU Stage IIIA

Cooling system	water-cooled, forced circulation by centrifugal pump with thermostat
Combustion system	indirect injection, swirl chamber type
Fuel injection system	pump-line-nozzle (rotary pump)
Electrical system (V / A)	12 / 50
Starting system (V / kW)	12 / 2
Rotation (ISO 1204)	counterclockwise
Flywheel and housing	semi: SAE 7.5" / SAE #4

RATING¹

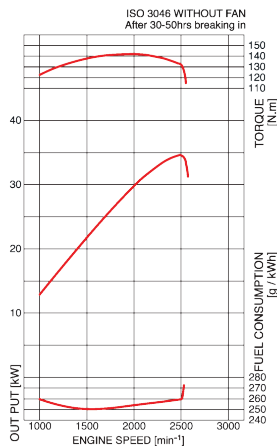
	Gross		Net
	w/o fan		with fan
Output (kWm)	34.6		32.8
Output (bhp)	46.4		44.0
Engine speed (rpm)	2500		

Gross

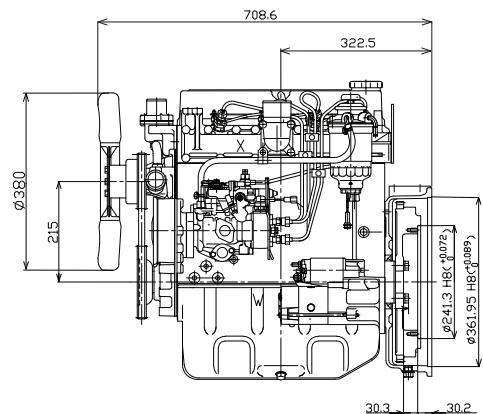
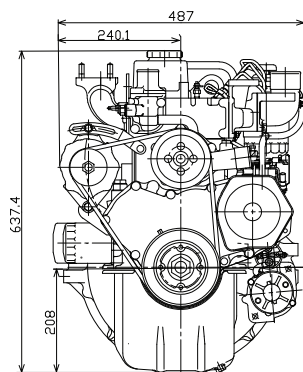
Fuel consumption 100% load (g/kWh) ²	260
Max. torque (Nm)	142
Side gear PTO (Nm)	n.a.

¹ Rating definition according ISO3046, rating tolerance ±5% of nominal. ² Fuel consumption is based on ISO3046/1 with ±8% tolerance at 100% rated power.

PERFORMANCE CURVE



DIMENSIONS



More information

Contact your local dealer for more information regarding Mitsubishi Diesel Engines and optional equipment or, visit www.mtee.eu/engines

MOVE THE WORLD FORWARD  **MITSUBISHI
HEAVY
INDUSTRIES
GROUP**