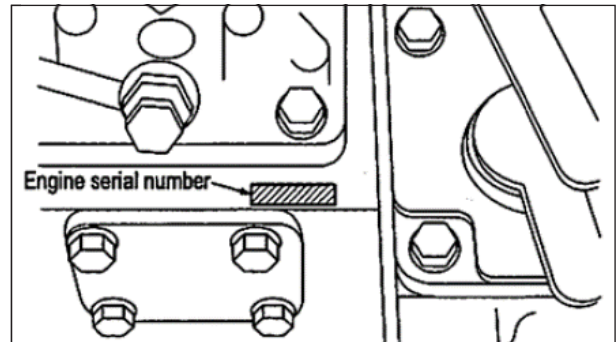


## Mitsubishi Engine serial number position

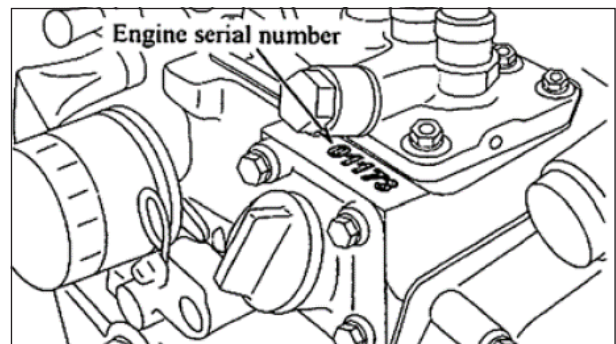
### LE- series

The engine serial number is stamped on the injection pump mount, upper side of tie rod cover, of the cylinder block.



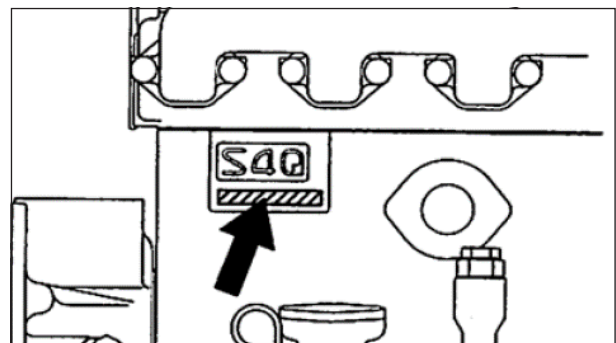
### SL- series

The engine serial number is stamped on the top face of the fuel injection pump bracket on the right-hand side of the cylinder block.



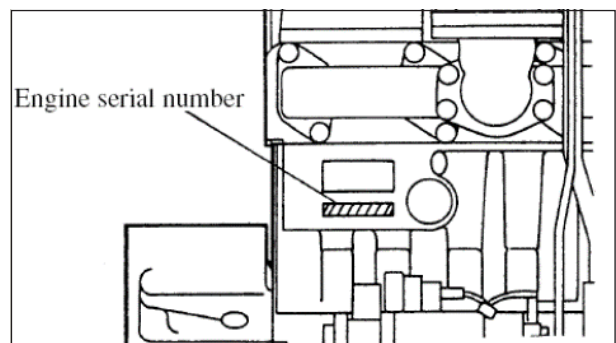
### SQ - series

The engine serial number is stamped on the side of the crankcase.



### SS - series

The engine serial number is located on the side of the crankcase.

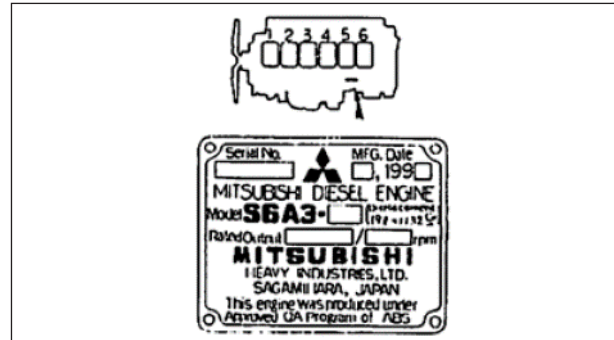


## Mitsubishi Engine serial number position

### S6A3 engine

The engine serial number is stamped on the nameplate attached to the left rear side of the engine.

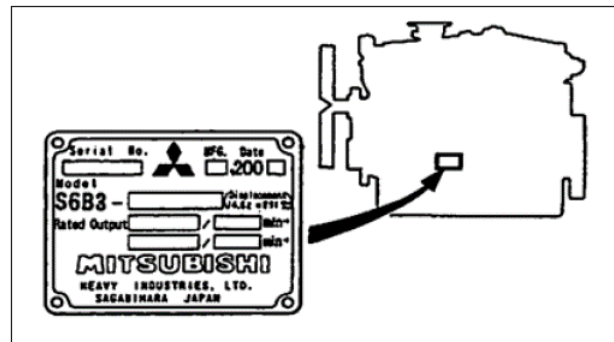
On the nameplate are also stamped the output and rated speed. The numbers in the illustrations show cylinder numbers.



### S6B3 engine

The engine serial number is stamped on the nameplate attached to the left center side of the engine.

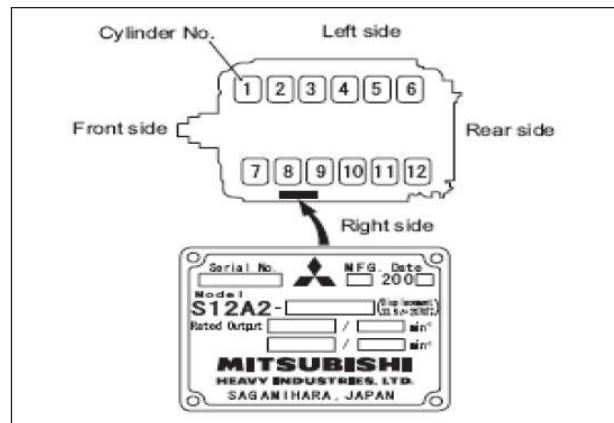
On the nameplate are also stamped the output and rated speed. The numbers in the illustrations show cylinder numbers.



### S12A2 engine

The engine serial number is stamped on the nameplate attached to the lateral side of the engine.

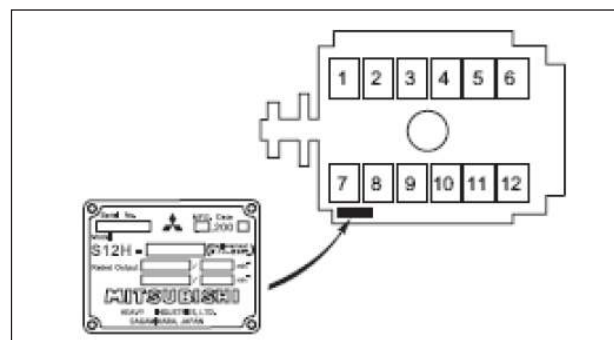
On the nameplate are also stamped the output and rated speed. The numbers in the illustrations show cylinder numbers.



### S12H engine

The engine serial number is stamped on the nameplate lateral side of the engine.

On the nameplate are also stamped the output and rated speed. The numbers in the illustrations show cylinder numbers.

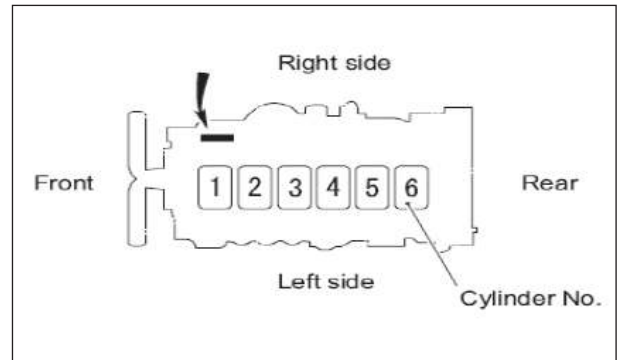


## Mitsubishi Engine serial number position

### SR series

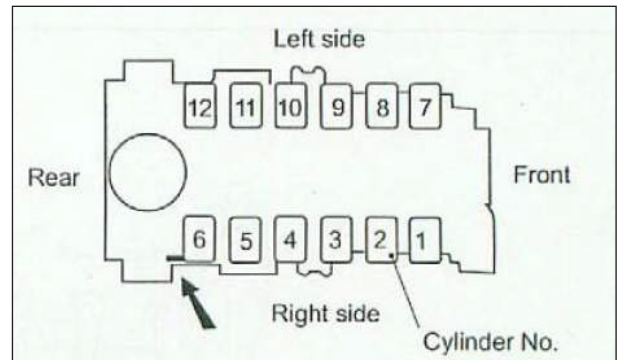
The S6R engine serial number is stamped on the nameplate and is located at the left front side of the engine.

On the nameplate are also stamped the output and rated speed. The numbers in the illustrations show cylinder numbers.



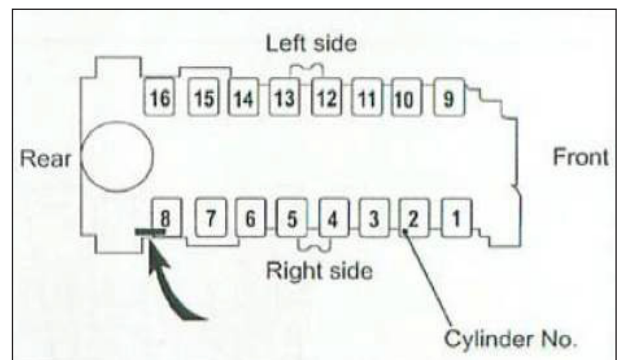
The S12R engine serial number is stamped on the nameplate and is located at the left front side of the engine.

On the nameplate are also stamped the output and rated speed. The numbers in the illustrations show cylinder numbers.



The S16R engine serial number is stamped on the nameplate and is located at the left front side of the engine.

On the nameplate are also stamped the output and rated speed. The numbers in the illustrations show cylinder numbers.

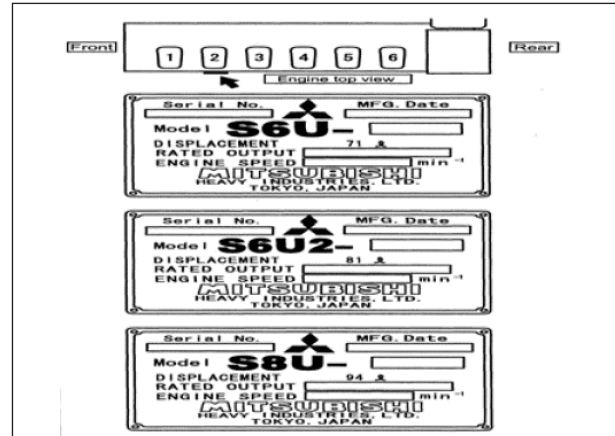


## Mitsubishi Engine serial number position

### SU - series

The S6U engine serial number is stamped on the nameplate and is located at the left side of the engine.

On the nameplate are also stamped the output and rated speed. The numbers in the illustrations show cylinder numbers.



The S12U and S16U engine serial number is stamped on the nameplate and is located at the left side of the engine.

On the nameplate are also stamped the output and rated speed. The numbers in the illustrations show cylinder numbers.

